

BOJO TOOLS

ALL PLASTIC AIR CHISEL SYSTEM



“EXTREME EDGE PLASTIC TECHNOLOGY”

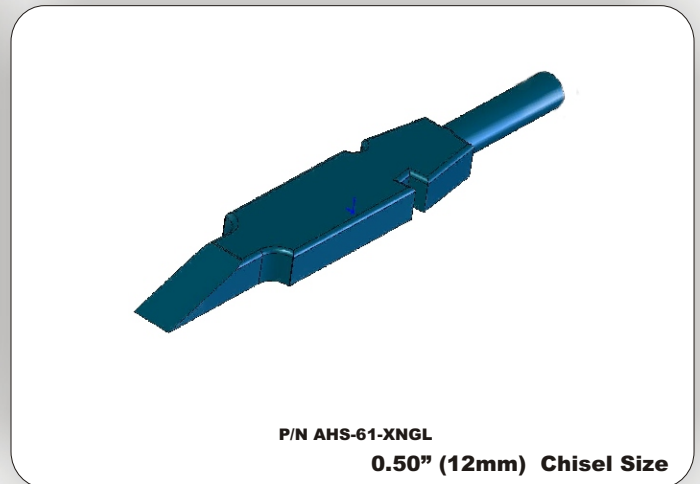
Now available in two sizes and two hardness versions as standard products, the NEW Bojo power scrapers take our legendary tool system to new levels of performance.

CUSTOM BRANDING



“All Tools Made From Strong Engineering Plastic”

TWO SIZES AND TWO MATERIALS TO CHOOSE FROM

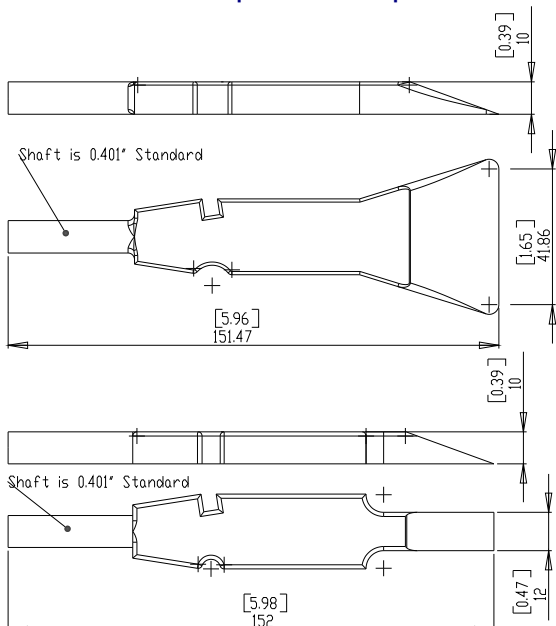


“Strong rib backing, easily reshaped.”



“Standard size for air chisel guns with wire spring.”

Meeting requirements for non-metallic tool systems in aerospace and automotive industries, the air tool power scrapers also have numerous marine and industrial applications.



Designed to fit standard air chisel tools with a 0.401 shank, this scraper system maintains the damage reduction and non-marring properties of our hand tools but is suited to heavy-duty and higher volume material removal while reducing operator fatigue.

Alternate tool plastic material hardness are available to special order. Stock availability across other Bojo Tool scraper tip versions will be rolled out by summer 2009.

BOJO TOOLS 473 SAPENA CT STE 19
SANTA CLARA CA 95054
PH (408) 844-8211 FAX (408) 844-8218
WWW.BOJOTOOLS.COM